

# Aira

Light in its purest form



**selux**

It is the atmospheric residential areas and squares that give a city its character. Such places need lighting that promotes well-being and creates quality during people's stay. Aira post-top luminaires have the ability to embed themselves in different environments while developing an auratic presence. The heart of the Aira is the Tritec Optic, which flexibly adapts to the situation with one or two modules, different light distributions and light colors. Its transparent case with invisible screw connection appear elegant and floating. Variants of clear, minimalist cylinders and spheres as standard as well as special versions in tinted, lacquered or structured plastic in bespoke shapes, give planners further scope to harmoniously adapt the Aira to the environment.

## Aira pole top luminaire LED 2700 K, 3000 K and 4000 K, CRI ≥ 80

**Tritec Optic:** silver/gold · single or double · optic module with two 120° (asymm.) or three 120° (symm.) LED circle segments · precision prism ring lenses made of PMMA · hexagonal structured reflector cone · UV stable, high impact resistant housing (IK 07/IK 08) · die-cast aluminium base, powder-coated · internal conical cast heat sink · flicker-free operation with dimmable constant current LED driver · high-voltage protection up to 10 KV L-N · 6 m feed cable · optional invisible Zhaga interface for Smart City functions · optional emergency light

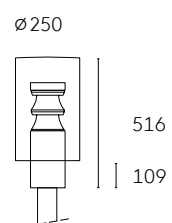
**Control options:** dynamic\* · DALI · CLT · HNS · AmpDim · individual performance adjustment in 300 lumen steps possible from factory

**Spigot size:** 60 or 76 mm for conical and cylindrical masts · light heights 3-5 meters

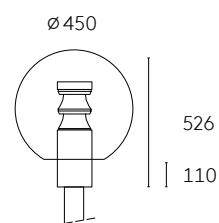
**Colour:** Selux Graphite or special finish



\*self-sufficient dimming using a programmable driver or sensors



∅ spigot: 60/76 mm  
Windpressure: 0,144 m<sup>2</sup>  
IK 08



∅ spigot: 60/76 mm  
Windpressure: 0,174 m<sup>2</sup>  
IK 07

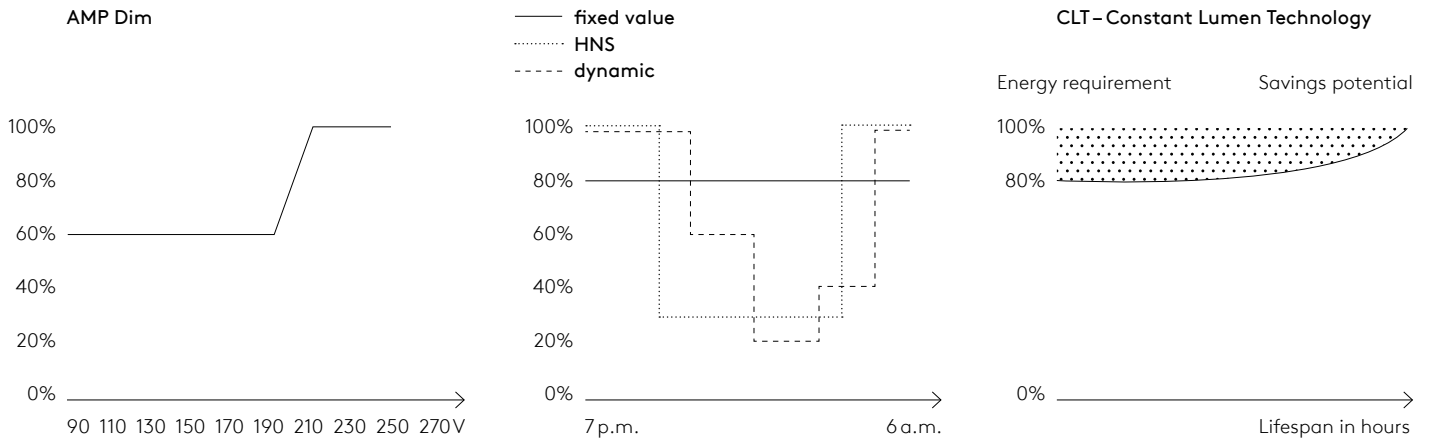
## Aira Cylinder

light distribution	Tritec Optic	light colour	spigot	luminous flux	total power	efficiency	weight	SX-No.
asymm.	Gold single	2.700 K	60 mm	2400 lm	25 W	96 lm/W	4,7 kg	SX 991 35-9/GOLD
			76 mm					SX 991 31-9/GOLD
	double	2.700 K	60 mm	4800 lm	44 W	109 lm/W	5,2 kg	SX 991 37-9/GOLD
			76 mm					SX 991 33-9/GOLD
	Silver single	2.700 K	60 mm	2400 lm	23 W	104 lm/W	4,7 kg	SX 991 35-9
			76 mm					SX 991 31-9
		3.000 K	60 mm	2400 lm	21 W	114 lm/W	4,7 kg	SX 991 11-9
			76 mm					SX 991 01-9
		4.000 K	60 mm	2400 lm	21 W	114 lm/W	4,7 kg	SX 991 13-9
			76 mm					SX 991 03-9
	double	2.700 K	60 mm	4800 lm	43 W	112 lm/W	5,2 kg	SX 991 37-9
			76 mm					SX 991 33-9
3.000 K		60 mm	4800 lm	42 W	114 lm/W	5,2 kg	SX 991 15-9	
		76 mm					SX 991 05-9	
4.000 K		60 mm	4800 lm	42 W	114 lm/W	5,2 kg	SX 991 17-9	
		76 mm					SX 991 07-9	
symm.	Gold single	2.700 K	60 mm	2700 lm	24 W	113 lm/W	4,7 kg	SX 991 34-9/GOLD
			76 mm					SX 991 30-9/GOLD
	double	2.700 K	60 mm	5400 lm	47 W	115 lm/W	5,2 kg	SX 991 36-9/GOLD
			76 mm					SX 991 32-9/GOLD
	Silver single	2.700 K	60 mm	2700 lm	23 W	117 lm/W	4,7 kg	SX 991 34-9
			76 mm					SX 991 30-9
		3.000 K	60 mm	2700 lm	22 W	123 lm/W	4,7 kg	SX 991 10-9
	single	4.000 K	60 mm	2700 lm	22 W	123 lm/W	4,7 kg	SX 991 00-9
			76 mm					SX 991 02-9
	double	2.700 K	60 mm	5400 lm	46 W	117 lm/W	5,2 kg	SX 991 36-9
			76 mm					SX 991 32-9
	double	3.000 K	60 mm	5400 lm	44 W	123 lm/W	5,2 kg	SX 991 14-9
		76 mm					SX 991 04-9	
double	4.000 K	60 mm	5400 lm	44 W	123 lm/W	5,2 kg	SX 991 16-9	
		76 mm					SX 991 06-9	

## Aira Sphere

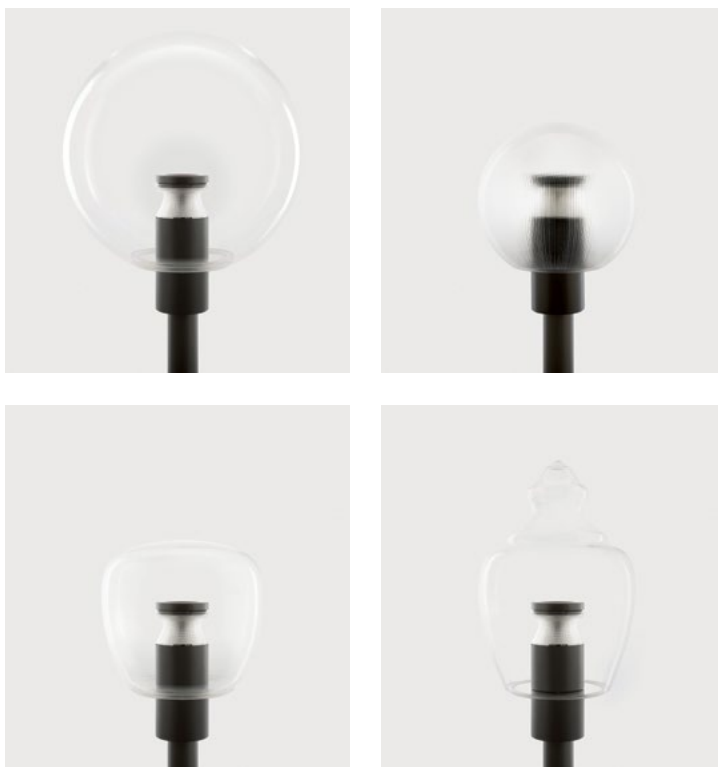
asymm.	Gold single	2.700 K	60 mm	2400 lm	25 W	96 lm/W	4 kg	SX 990 35-9/GOLD
			76 mm					SX 990 31-9/GOLD
	double	2.700 K	60 mm	4800 lm	44 W	109 lm/W	4,5 kg	SX 990 37-9/GOLD
			76 mm					SX 990 33-9/GOLD
	Silver single	2.700 K	60 mm	2400 lm	23 W	104 lm/W	4 kg	SX 990 35-9
			76 mm					SX 990 31-9
		3.000 K	60 mm	2400 lm	21 W	114 lm/W	4 kg	SX 990 11-9
	single	4.000 K	60 mm	2400 lm	21 W	114 lm/W	4 kg	SX 990 13-9
			76 mm					SX 990 03-9
	double	2.700 K	60 mm	4800 lm	43 W	112 lm/W	4,5 kg	SX 990 37-9
			76 mm					SX 990 33-9
	double	3.000 K	60 mm	4800 lm	42 W	114 lm/W	4,5 kg	SX 990 15-9
		76 mm					SX 990 05-9	
double	4.000 K	60 mm	4800 lm	42 W	114 lm/W	4,5 kg	SX 990 17-9	
		76 mm					SX 990 07-9	
symm.	Gold single	2.700 K	60 mm	2700 lm	24 W	113 lm/W	4 kg	SX 990 34-9/GOLD
			76 mm					SX 990 30-9/GOLD
	double	2.700 K	60 mm	5400 lm	47 W	115 lm/W	4,5 kg	SX 990 36-9/GOLD
			76 mm					SX 990 32-9/GOLD
	Silver single	2.700 K	60 mm	2700 lm	23 W	117 lm/W	4 kg	SX 990 34-9
			76 mm					SX 990 30-9
		3.000 K	60 mm	2700 lm	22 W	123 lm/W	4kg	SX 990 10-9
	single	4.000 K	60 mm	2700 lm	22 W	123 lm/W	4 kg	SX 990 00-9
			76 mm					SX 990 02-9
	double	2.700 K	60 mm	5400 lm	46 W	117 lm/W	4,5 kg	SX 990 36-9
			76 mm					SX 990 32-9
	double	3.000 K	60 mm	5400 lm	44 W	123 lm/W	4,5 kg	SX 990 14-9
		76 mm					SX 990 04-9	
double	4.000 K	60 mm	5400 lm	44 W	123 lm/W	4,5 kg	SX 990 16-9	
		76 mm					SX 990 06-9	

# Control options



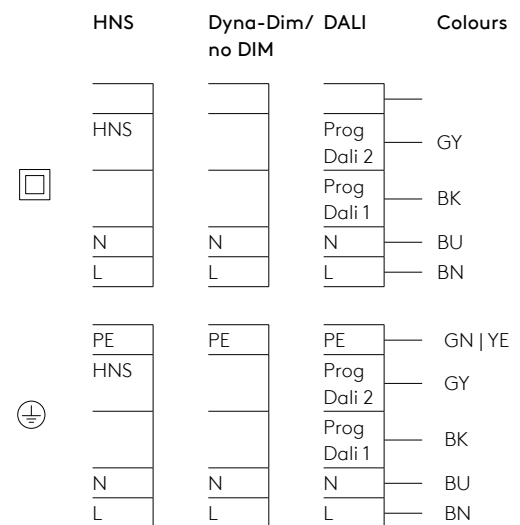
Each Aira luminaire can be switched and dimmed via a Dali interface. Light can be regulated individually through the use of intelligent controls.

## Individual shapes



For the realization of individual moldings contact us!

## Connecting cables



The cross-portfolio design language enables the harmonious combination of Aira with many Selux luminaires.

Further information can be found at [www.selux.com](http://www.selux.com)

Reserve technical changes.  
100 42578 English Version May 2019