

## M36

for millimetre-precise profile lengths and structures

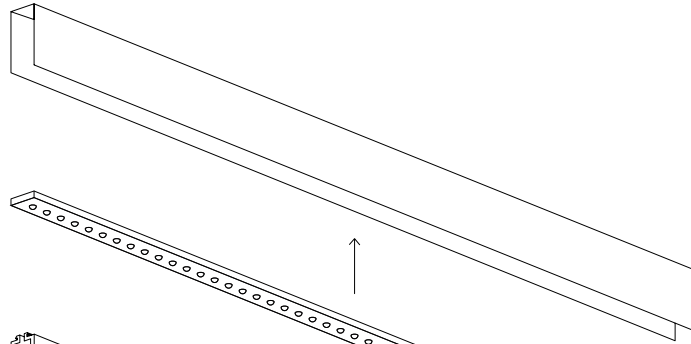


The M is a highly flexible family of luminaires combining a virtually universal range of applications with minimalist design. Thanks to the manifold assembly variants, profile widths and optics systems, this system of light channels can provide a custom lighting solution for even the most specialist requirements precisely to the millimetre, whether as single luminaires or a complex lighting structure.

## M36 construction and assembly

housing made of extruded aluminium profile, 3000K, 4000K, CRI 80/90, My White, LED gear tray can be replaced, LED 22 W/m, electronic converter, 5-pole terminal block up to 2,5 mm<sup>2</sup>, for double cable feed, weight: 2,5kg/m, CE, IP20, Protection Class I

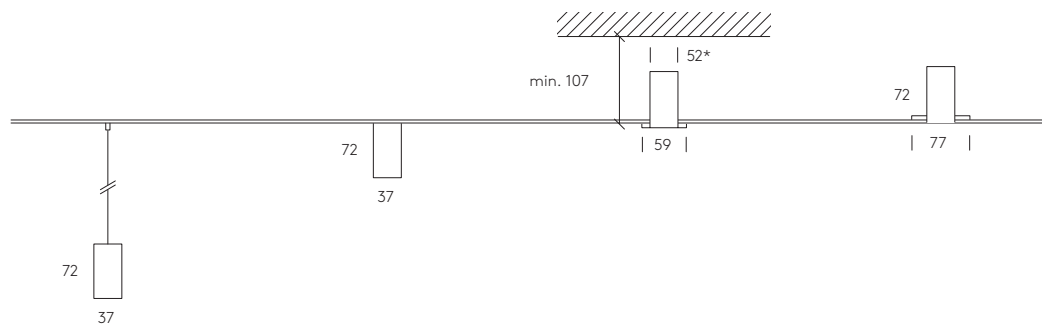
housing



gear tray

shielding

M36  
in mm



Pendant

Surface

Recessed with trim

Ceiling or wall assembly  
\* ceiling cut

Recessed without trim

Ceiling or wall assembly  
visible width (assembled): 38  
Mounting depth: 59

Operating time	15.000	30.000	45.000	60.000	75.000
LLMF	0,96	0,93	0,9	0,87	0,84



Modifications are possible due to the constant development and improvement of LED technology.

© Selux AG, Subject to technical modification 11.2017 · page 2

Selux AG, Motzener Straße 34, D-12277 Berlin, T +49 30 72001-0, F -100, info@selux.com, www.selux.com

## M36 construction

### housing

M36		594 - 954mm	955 - 1193mm	1194 - 1590mm	1591 - 2335mm	2336 - 4770mm	L-module
Pendant/Surface	white	P36-11/0954	P36-11/1193	P36-11/1590	P36-11/2335	P36-11/4770	P36-12/0596
	silver	P36-31/0954	P36-31/1193	P36-31/1590	P36-31/2335	P36-31/4770	P36-32/0596
Recessed with trim	white	P38-11/0954	P38-11/1193	P38-11/1590	P38-11/2335	P38-11/4770	P38-12/0596
Recessed without trim	white	P39-11/0954	P39-11/1193	P39-11/1590	P39-11/2335	P39-11/4770	P39-12/0596

### gear tray with converter

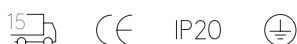
length	3000K · CRI80	3000K · CRI90	4000K · CRI80	4000K · CRI90
888mm	L036-1112806/0888	L036-1112906/0888	L036-1114806/0888	L036-1114906/0888
925mm	L036-1112806/0925	L036-1112906/0925	L036-1114806/0925	L036-1114906/0925
962mm	L036-1112806/0962	L036-1112906/0962	L036-1114806/0962	L036-1114906/0962
999mm	L036-1112806/0999	L036-1112906/0999	L036-1114806/0999	L036-1114906/0999
1036mm	L036-1112806/1036	L036-1112906/1036	L036-1114806/1036	L036-1114906/1036
1073mm	L036-1112806/1073	L036-1112906/1073	L036-1114806/1073	L036-1114906/1073
1110mm	L036-1112806/1110	L036-1112906/1110	L036-1114806/1110	L036-1114906/1110
1147mm	L036-1112806/1147	L036-1112906/1147	L036-1114806/1147	L036-1114906/1147
L-gear tray	L036-1122806/0596	L036-1122906/0596	L036-1124806/0596	L036-1124906/0596

### gear tray with converter (monocav optics)

888mm	L036-1152906/0888	L036-1154906/0888
1184mm	L036-01152906/1184	L036-1154906/1184
888mm	L036-01152906/1480	L036-1154906/1480

### gear tray without converter

296mm	L036-0112806/0296	L036-0112906/0296	L036-0114806/0296	L036-0114906/0296
592mm	L036-0112806/0592	L036-0112906/0592	L036-0114806/0592	L036-0114906/0592
888mm	L036-0112806/0888	L036-0112906/0888	L036-0114806/0888	L036-0114906/0888
1184mm	L036-0112806/1184	L036-0112906/1184	L036-0114806/1184	L036-0114906/1184
1480mm	L036-0112806/1480	L036-0112906/1480	L036-0114806/1480	L036-0114906/1480



Modifications are possible due to the constant development and improvement of LED technology.

© Selux AG, Subject to technical modification 11.2017 · page 3

Selux AG, Motzener Straße 34, D-12277 Berlin, T +49 30 72001-0, F -100, info@selux.com, www.selux.com

## M36 construction

### shielding

M36	594 - 954mm	955 - 1193mm	1194 - 1590mm	1591 - 2335mm	2336 - 4770mm	L-module
satiné (PMMA)	A036-E1/0954	A036-E1/1193	A036-E1/1590	A036-E1/2335	A036-E1/3000	A036-E2/0596
opal (PMMA)	A036-P1/0954	A036-P1/1193	A036-P1/1590	A036-P1/2335	A036-P1/3000	A036-P2/0596
PC with microprisms	A036-M1/0954	A036-M1/1193	A036-M1/1590	A036-M1/2335	A036-M1/3000	A036-M2/0596
LMO symmetrical	A036-B1/0954	A036-B1/1193	A036-B1/1590	A036-B1/2335	A036-B1/3000	A036-B2/0596
LMO wallwasher	A036-W1/0954	A036-W1/1193	A036-W1/1590	A036-W1/2335	A036-W1/3000	A036-W2/0596
LMO asymmetrical	A036-S1/0954	A036-S1/1193	A036-S1/1590	A036-S1/2335	A036-S1/3000	A036-S2/0596

### shielding (monocav optics)

Länge	3000K · CRI80	3000K · CRI90	4000K · CRI80	4000K · CRI90
888mm		L036-1152906/0888		L036-1154906/0888
1184mm		L036-01152906/1184		L036-1154906/1184
888mm		L036-01152906/1480		L036-1154906/1480



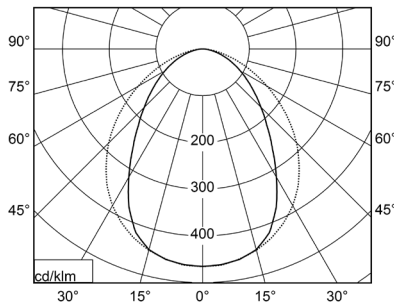
Modifications are possible due to the constant development and improvement of LED technology.

© Selux AG, Subject to technical modification 11.2017 · page 4

Selux AG, Motzener Straße 34, D-12277 Berlin, T +49 30 72001-0, F -100, info@selux.com, www.selux.com

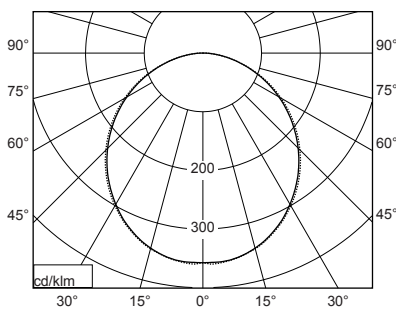
## M36

### Optical systems for general lighting tasks



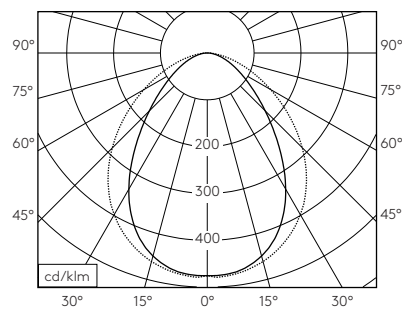
#### LMO symmetrical

For general lighting of public spaces and functional areas · high-quality appearance of the light aperture



#### opal (PMMA)

A high-quality light aperture for diffuse illumination of corridors, lobbies and functional areas

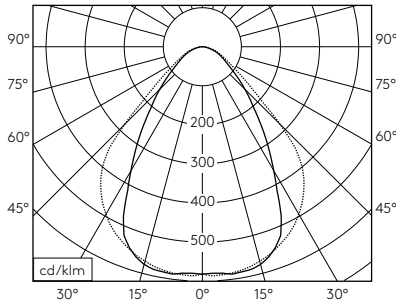


#### satiné (PMMA)

For high efficiency general lighting of public spaces and functional areas

## M36

### Optical systems for office applications



#### PC with microprisms

Direct lighting, for illumination of offices and functional areas.

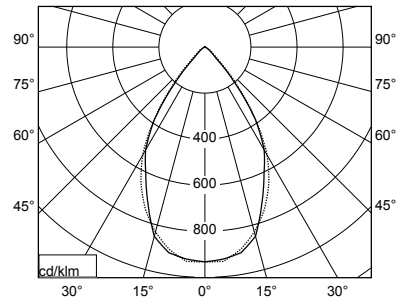
#### Luminance table

	C 0°	C 15°	C 30°	C 45°	C 60°	C 75°
<b>55,0°</b>	6427	6796	7023	7826	8594	8962
<b>65,0°</b>	5230	5253	5354	5779	6324	6226
<b>75,0°</b>	3878	3891	3984	4239	4651	5035
<b>85,0°</b>	2123	2101	2069	2107	2233	2492

#### UGR Table

	70	70	50	50	30	70	70	50	50
<b>p-ceiling</b>	70	70	50	50	30	70	70	50	50
<b>p-walls</b>	50	30	50	30	30	50	30	50	30
<b>p-floor</b>	20	20	20	20	20	20	20	20	20

X	Y	crosswise				parallel				
<b>4H</b>	2H	18,2	19,1	18,5	19,4	19,7	20,0	20,9	20,3	21,2
	3H	19,2	19,9	19,5	20,3	20,6	20,8	21,6	21,1	21,9
	4H	19,5	20,2	19,9	20,6	20,9	21,2	21,9	21,5	22,2
	6H	19,8	20,4	20,2	20,7	21,1	21,4	22,0	21,8	22,4
	<b>8H</b>	19,8	20,4	20,2	20,8	21,2	<b>21,5</b>	22,1	21,9	22,5
12H	19,8	20,4	20,3	20,8	21,2	21,5	22,1	22,0	22,5	



#### monocav optics

Suitable for VDU workplaces according to DIN EN 12464-1:2011 with anti-glarerequirements UGR ≤ 19 for offices according to DIN EN 12464-1 incl. luminance limitation

#### Luminance table

	C 0°	C 15°	C 30°	C 45°	C 60°	C 75°
<b>55,0°</b>	6427	6796	7023	7826	8594	8962
<b>65,0°</b>	5230	5253	5354	5779	6324	6226
<b>75,0°</b>	3878	3891	3984	4239	4651	5035
<b>85,0°</b>	2123	2101	2069	2107	2233	2492

#### UGR Table

	70	70	50	50	30	70	70	50	50
<b>p-ceiling</b>	70	70	50	50	30	70	70	50	50
<b>p-walls</b>	50	30	50	30	30	50	30	50	30
<b>p-floor</b>	20	20	20	20	20	20	20	20	20

X	Y	crosswise				parallel				
<b>4H</b>	2H	18,2	19,1	18,5	19,4	19,7	20,0	20,9	20,3	21,2
	3H	19,2	19,9	19,5	20,3	20,6	20,8	21,6	21,1	21,9
	4H	19,5	20,2	19,9	20,6	20,9	21,2	21,9	21,5	22,2
	6H	19,8	20,4	20,2	20,7	21,1	21,4	22,0	21,8	22,4
	<b>8H</b>	19,8	20,4	20,2	20,8	21,2	<b>21,5</b>	22,1	21,9	22,5
12H	19,8	20,4	20,3	20,8	21,2	21,5	22,1	22,0	22,5	



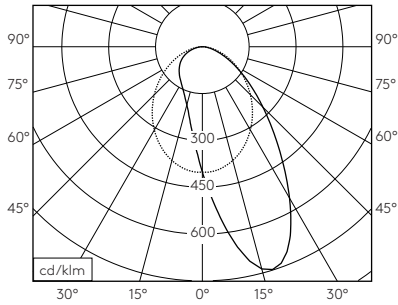
Modifications are possible due to the constant development and improvement of LED technology.

© Selux AG, Subject to technical modification 11.2017 · page 6

Selux AG, Motzener Straße 34, D-12277 Berlin, T +49 30 72001-0, F -100, info@selux.com, www.selux.com

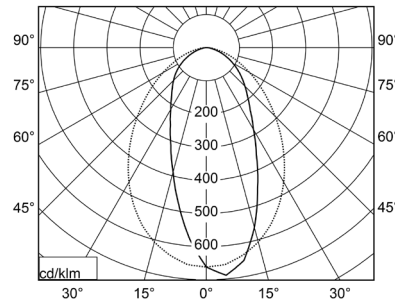
## M36

### Optical systems for asymmetrical lighting tasks



#### LMO asymmetrical

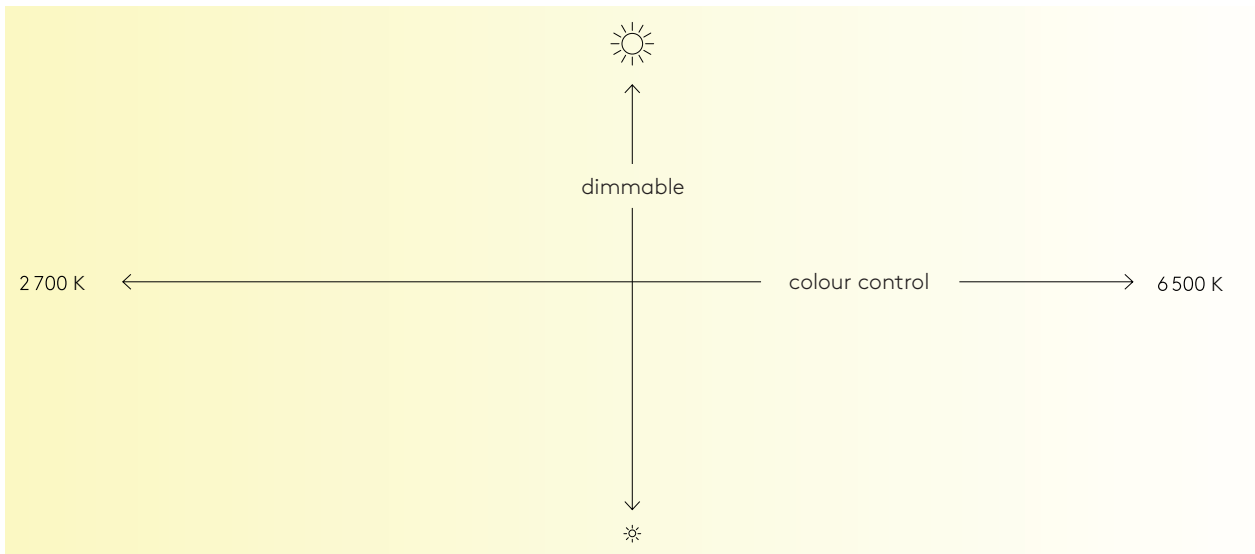
Wall illumination · corridor lighting with asymmetric lighting layout · blackboard illumination · museums and vertical retail applications



#### LMO wallwasher

Vertical illumination with excellent uniformity of illuminated surfaces for wallwashing and shelf illumination, for example in museums, libraries, reception areas or retail applications

## M36 My White



### Two light colours and My White

New options for rooms: Besides the available light colours 3000 and 4000 Kelvin, M luminaires are also available in the variable light colour My White. This enables entirely new room settings to be created since the colour temperature can be controlled digitally from 2700 Kelvin to 6500 Kelvin as desired and depending on the lighting mood needed. This opens up a wide range of possibilities: daylight and seasonal influences can be individually simulated, specific light colours can be used for optical zoning on architecture, perception hierarchies created, key, materials emphasised and colours accentuated.

### DALI control

All M luminaires are equipped with DALI interfaces meaning simple dimming of individual luminaires is possible using standard buttons. For complex control of large numbers of luminaire clusters and My White colour control, the luminaires are integrated into one digital light controller. Digital Addressable Lighting (DALI) allows dimming and colour control in 254 increments, as well as clustering and deactivation via digital commands.

### Control via Netcomposer

Using the Selux Netcomposer, all My White luminaires are infinitely dimmable and can be controlled from 2700K to 6500K. The luminaires can also be integrated into a digital, network-compatible light control system. Intelligent light scene management, time switch programmes and the integration of presence and light sensors enable efficient building management. Control is via various user interfaces or via smartphone. Please do not hesitate to contact us for more technical details.



Modifications are possible due to the constant development and improvement of LED technology.

© Selux AG, Subject to technical modification 11.2017 · page 8

Selux AG, Motzener Straße 34, D-12277 Berlin, T +49 30 72001-0, F -100, info@selux.com, www.selux.com



## M36 My White

### Light control via Casambi

Using a Bluetooth connection and the free-of-charge app, you can use your smartphone or tablet to dim luminaires, switch individual luminaires on or off, create light settings and generate individual light moods from warm white to cold white or RGBW. The compact control unit can be integrated into all Selux luminaires using DALI-capable LED converters. Even standard wall switches can be used for dimming or control of light scenes. All Casambi products automatically form a wireless mesh network.

length	MyWhite CRI90
888mm	L036-1117906/0888
1184mm	L036-1117906/1184
1480mm	L036-1117906/1480
1036mm	L036-1117906/1036
1332mm	L036-1117906/1332
1628mm	L036-1117906/1628
L-Einsatz	L036-1127906/0596

## M36 Colour Rendering Index

The colour rendering index (CRI) demonstrates how colours of objects can be realistically brought to life and experienced using artificial lighting. A better CRI value requires binning over a particularly broad spectral range i.e. even higher quality when selecting LEDs. Whereas in office applications or in manual trade, CRI values above 80 suffice, applications in shops or museums or for exhibitions of textiles or artworks require CRI values above 90. With the M family, you can therefore choose between good (CRI > 80) and very good colour rendering (CRI > 90).



Modifications are possible due to the constant development and improvement of LED technology.

© Selux AG, Subject to technical modification 11.2017 · page 9

Selux AG, Motzener Straße 34, D-12277 Berlin, T +49 30 72001-0, F -100, info@selux.com, www.selux.com

## M36

### accessory

---

#### accessory for pendant

- SX 36-004-1/02 end cap for M36, white, for pendant-/surface luminaire, 5 mm, 2 pieces set
- SX 36-004-3/02 end cap for M36, silver, for pendant-/surface luminaire, 5 mm, 2 pieces set
- SX 36-011-3 straight coupler-set
- SX 99-974-1 wire suspension with 5-core cable  $5 \times 0,75 \text{ mm}^2$ , transparent, 1500 mm, canopy white \*
- SX 99-975-1 wire suspension with 5-core cable  $5 \times 0,75 \text{ mm}^2$ , transparent, 3000 mm, canopy white \*
- SX 99-974-3 wire suspension with 5-core cable  $5 \times 0,75 \text{ mm}^2$ , transparent, 1500 mm, canopy silver \*
- SX 99-975-3 wire suspension with 5-core cable  $5 \times 0,75 \text{ mm}^2$ , transparent, 3000 mm, canopy silver \*
- SX 99-830-3 wire suspension with ceiling mounting, 1500 mm \*
- SX 99-831-3 wire suspension with ceiling mounting, 3000 mm \*

\* one suspension per 1,5 m run with a minimum of 2 pieces (can be shortened on site)

---

#### accessory for surface

- SX 36-004-1/02 end cap for M36, white, for pendant-/surface luminaire, 5 mm, 2 pieces set
- SX 36-004-3/02 end cap for M36, silver, for pendant-/surface luminaire, 5 mm, 2 pieces set
- SX 36-011-3 straight coupler-set

---

#### accessory for recessed with trim

- SX 36-005-1/02 end flange for M36, white, for recessed with trim, 12 mm, 2 pieces set
- SX 36-011-3 straight coupler-set
- SX 36-012-0 rotating crossbar

---

#### accessory for recessed without trim

- SX 36-006-1/02 end plate for M36, for recessed without trim, 2 mm, 2 pieces set
- SX 36-011-3 straight coupler-set
- SX 99-259-0 profile snap hanger, 6 pieces set

- 
- SX 36-040-0 spacer for positioning between the light inserts, 5 pieces set
-