

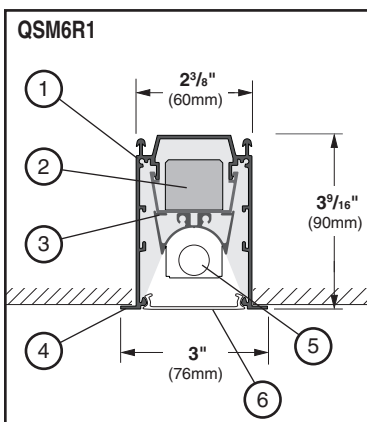
Project: _____

All orders shipped within 10 days of approval.
M-Quick fixture section limit: 50

CURRENT ORDER TOTAL: FIXTURE SECTIONS

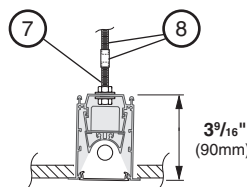
Type	Qty.	Series	Lamping	Shielding	Mounting	Length	Finish	Voltage	Flex Whips
1	-	- QSM6R1	- 1T5	-	-	-	- WH	-	- x FW
2	-	- QSM6R1	- 1T5	-	-	-	- WH	-	- x FW
3	-	- QSM6R1	- 1T5	-	-	-	- WH	-	- x FW
4	-	- QSM6R1	- 1T5	-	-	-	- WH	-	- x FW

Series	LAMPING	Shielding	Mounting	Length	Finish	Voltage	Flex Whips
QSM6R1 M60 Recessed Continuous Flange (Flanged Extrusion/ Flanged Endcaps)	1T5 F28T5	MA Matte Parabolic Louver SD Satine Lens OD Extra Diffuse Lens	TS Factory Pre-Installed 1" Studs SH Suspension Clips RC Rotating Crossbars	004 4 ft. Individual 008 8 ft. Individual Rxx Run Code (choose RUN! to access Run Configurator)	WH White	120 120V 277 277V	(qty.) x FW Flex Whips 1 per each individual, 1 per each run feed location.

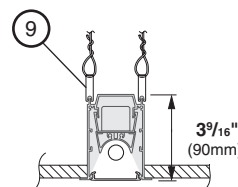


NOTE: Individual fixtures cannot be changed into run sections.

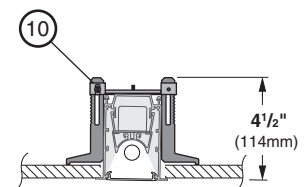
Pre-Installed 1" Studs (TS)



Suspension Clips (SH)



Rotating Crossbars (RC)



1. Housing - Continuous, 6063-T5 extruded aluminum profile in nominal 4' and 8' sections.

2. Ballast - Electronic, high power factor, class "P", type "A" sound rating. Ballast accepts voltages from 120 Volts through 277 Volts. Ballast is factory pre-wired with quick disconnect on one end of fixture.

3. Gear Tray - Extruded aluminum, with white painted finish. Gear tray installed as a complete electrical unit and is held in place with knurled dress nuts. Completely accessible from below ceiling. 6 amp fuse provided with each gear tray. Through wiring provided with every fixture.

4. Flange - 5/16" (8mm) wide flange is part of the main extruded body.

5. Lamp - 1x cross section F28T5 fluorescent lampping (lamps not supplied).

6. Shielding - Louvers offer excellent glare control in longitudinal, lateral, and all diagonal planes. High quality aluminum louvers and acrylic shielding allow true freedom of layout for today's modern spaces.

7. Pre-installed 1" Long 1/4-20 Studs - Attached to fixture at all suspension points (see drawing).

8. Coupling and Threaded Rod to Structure - Supplied and installed by others.

9. Spring Steel Suspension Clips - Supplied in pairs, to be located at all suspension points (see drawing). Support wires supplied and installed by others.

10. Rotating Crossbars - For inaccessible ceilings, adjustable for ceiling thicknesses from 1/4" to 2". Located at all suspension points (see drawing)

11. Flex Whip - (see p.18) 6' long with one straight and one 90° fitting, included at each feed location.

Interior Luminaire Finish
Standard interior color - White (WH)

SELUX Corp. © 2006

tel: (845) 691-7723

fax: (845) 691-6749

e-mail: quickship@selux.com

QSM6R1_Ssv2.05



Union Made Affiliated
with IBEW Local 363

In a continuing effort to offer the best product possible, we reserve the right to change, without notice, specifications or materials that in our opinion will not alter the function of the product. Specification sheets found at www.selux.com/usa are the most recent versions and supercede all other printed or electronic versions.

SELUX M-Quick M60 Recessed (Individuals)
PROJECT:



Scale: 3/4 in. = 1 foot

A = 6 - 1/16 in. (154mm) edge of housing to suspension point
