

Project: _____

Type: _____ Qty: _____

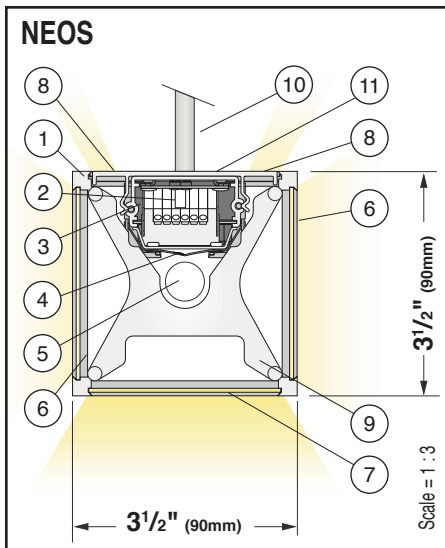
NEOS	Series	Lamping	Bottom Shielding	Mounting	Nominal Length	Suspension Bars*	Voltage
------	--------	---------	------------------	----------	----------------	------------------	---------

*Fill out this blank for individual fixtures only. For runs, the run configurator will provide suspension bar choices and will determine catalog numbers for suspension bars for each run section in part list summaries on page 9.

Options

Series	Lamping	Bottom Shielding	Mounting	Nominal Length	Individual Suspension Bars	Voltage	Options
NEOS NEO™ Pendant	1T5	F21T5 (3') F28T5 (4')	MI Microprismatic Diffuser Lens OD Opal Lens	C Cable RS 4' Rigid Stem	003 3 foot ind. 004 4 foot ind. RUN! Runs and Closed Configs. (choose "RUN!" to access RUN CONFIGURATOR)	SE ² Short Straight Bar LE Long Straight Bar	DM Dimming (ECO10) DM1 Dimming (Hi-Lume 1% for T5HO) DM2 Dimming (Hi-Lume 3D for T5) SIGN Full-Color Signage ⁵ LCAN ±1.5" canopy covers at all non-feed suspension points (cable mount runs only, stem mount and all individuals supplied standard with ±1.5" canopy covers)
	1T5HO ¹	F39T5 (3') F54T5 (4')			SE ² Short Straight Bar w/feed LE ² Long Straight Bar w/feed CBF ² Swivel Bar w/feed LEC ³ Long Straight Bar w/feed CBC ³ Swivel Bar w/feed SB Short Straight Bar (joiner) CB Swivel Bar (joiner) SEX ² Short Straight Bar (end) LEX Long Straight Bar (end) XXX None (last fixture of closed config.)	120 277	

¹Suggested for DM and SIGN options only. ²Available with stem mount only ³Cable mount only ⁴Determined by run configurator (see part list on p.9) ⁵Consult factory for details.



1. Housing - Sharp cornered polished, high-quality extruded aluminum, clean seams and machined flush glass.

2. Ballast - Electronic, high power factor, pre-wired, class "P", type "A" sound rating. Specify 120v or 277v. Must be low-profile ballasts with Dimming option, consult factory for details.

3. Gear Tray - Extruded aluminum, with white painted finish. Gear tray installed as a complete electrical unit and held in place with quick disconnects.

4. Reflector - Specular, high quality aluminum reflector to direct light toward working surface.

5. Lamp - Single or double T5 (21W 3', 28W 4'), T5HO (39W 3', 54W 4'), or T8 (25W 3', 32W 4') lampping by others.

6. Side Shielding - Machined flush glass with Opal Lens inserts on sides provides for mostly direct lighting with a distinctive amount of indirect and sidelight, and with excellent glare control in longitudinal, lateral, and all diagonal planes.

7. Bottom Shielding - Machined flush glass with choice of Opal Lens insert or Microprismatic Diffuser Lens insert. Allows uniform light distribution on working plane.

8. Top Shielding - Satine diffuser lens on sides of gear tray. Allows soft, indirect light distribution.

9. Inner Support Bracket - Supplied nominally every foot.

10. Suspensions - Cable suspensions or 1/2" O.D. stems are 4' from ceiling to top of

luminaire and may be cut in field. Assembly should be fed as per NEC through 4 x 4 junction box (supplied and installed by others). Polished aluminum Ø5" canopy supplied for all stem mount locations and feed locations with cable mount; polished aluminum Ø2" canopy supplied at all non-feed locations with cable mount. For Cable mount, exposed power feed cord has clear outer casing showing 5 silver conductor casings.

11. Gear Tray Access System - (not shown) Allows for easy access and removal of ballast and gear tray. Handle slips inside fixture when not in use.

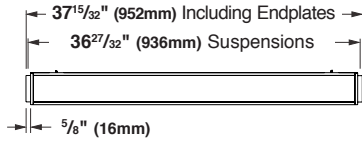
Interior Luminaire Finish - SELUX utilizes a high quality Polyester Powder Coating. All SELUX luminaires are finished in our Tiger Drylac certified facility and undergo a five stage intensive pretreatment process where product is thoroughly cleaned, phosphated and sealed. SELUX powder coated products provide excellent salt and humidity resistance as well as ultra violet resistance for color retention. All products are tested in accordance with test specifications for coatings from ASTM and PCI.

Standard exterior colors are White (WH), Black (BK), Bronze (BZ), and Silver (SV). Selux premium colors (SP) are available, please specify from your SELUX color selection guide. Hot Dip Galvanized finish (GV) on all steel parts also available.

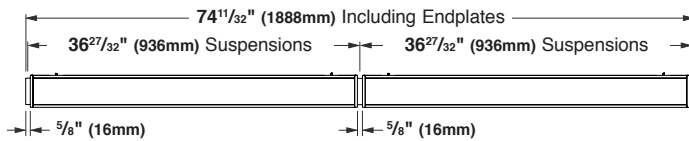
Layout Dimensions

NEOS 3' Layout Dimensions (uniform suspension bars and connectors)

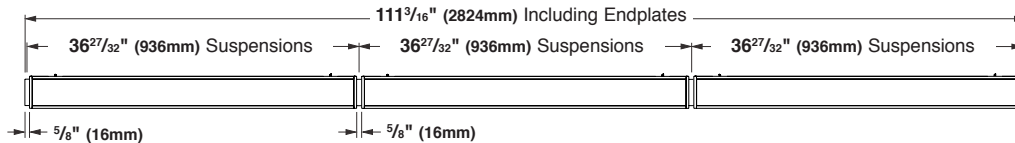
NEO suspended - 3 foot individual w/Short Suspension Bars



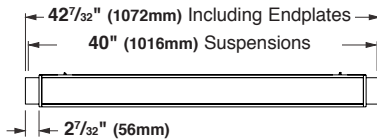
NEO suspended - 6 foot nominal w/Straight Connector and Short Suspension Bars



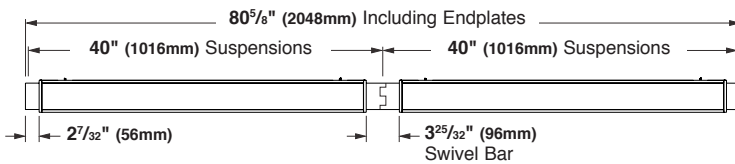
NEO suspended - 9 foot nominal w/Straight Connectors and Short Suspension Bars



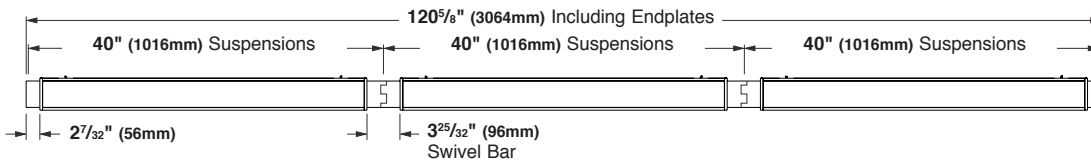
NEO suspended - 3 foot individual w/Long Suspension Bars



NEO suspended - 6 foot nominal w/ Swivel Connector and Long Suspension Bars



NEO suspended - 9 foot nominal w/ Swivel Connectors and Long Suspension Bars

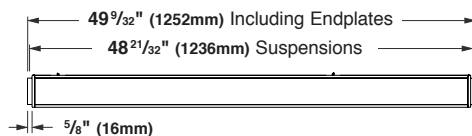


For continuous runs, use the "Run Configurator" included with PDF spec sheet (page 1) accessed by choosing "RUN!" from the "Length" pull down list. For other configurations please contact SELUX customer service or applications engineering for assistance (1-800-SELUX-CS).

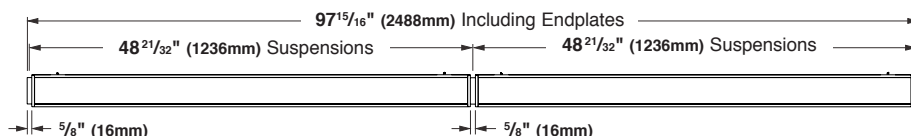
Layout Dimensions

NEOS 4' Layout Dimensions (uniform suspension bars and connectors)

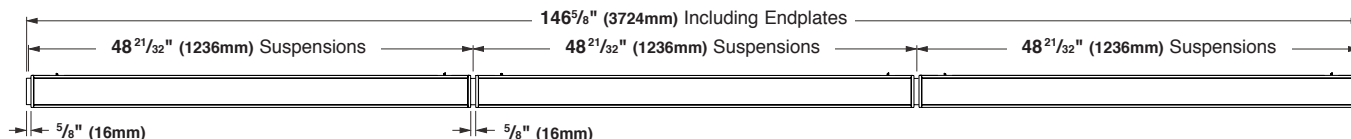
NEO suspended - 4 foot individual w/Short Suspension Bars



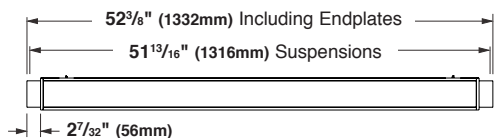
NEO suspended - 8 foot nominal w/Straight Connector and Short Suspension Bars



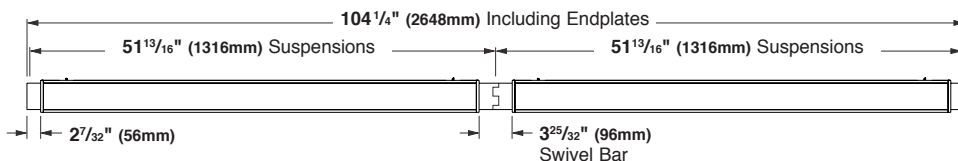
NEO suspended - 12 foot nominal w/Straight Connectors and Short Suspension Bars



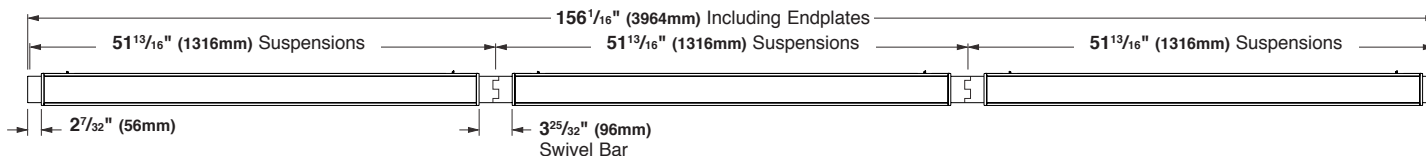
NEO suspended - 4 foot individual w/Long Suspension Bars



NEO suspended - 8 foot nominal w/Swivel Connector and Long Suspension Bars



NEO suspended - 12 foot nominal w/Swivel Connectors and Long Suspension Bars

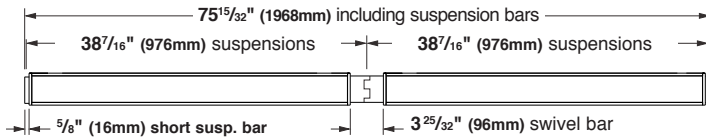


For continuous runs, use the "Run Configurator" included with PDF spec sheet (page 1) and is accessed by choosing "RUN!" from the "Length" pull down list. For other configurations please contact SELUX customer service or applications engineering for assistance (1-800-SELUX-CS).

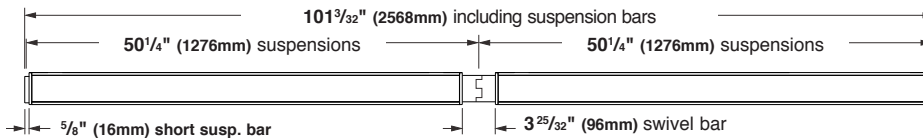
Layout Dimensions

NEOS 3' and 4' Layout Dimensions (mixed suspension bars and connectors)

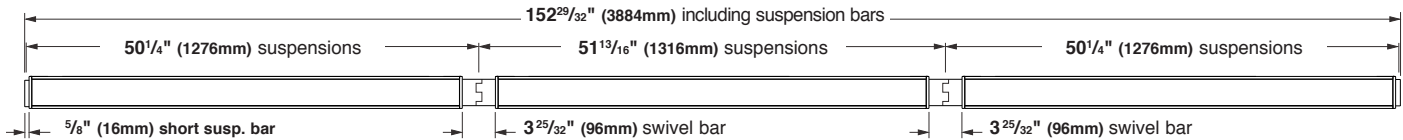
NEO suspended - 6 foot nominal w/Short Suspension Bars and Swivel Connector



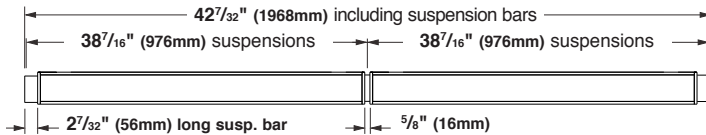
NEO suspended - 8 foot nominal w/Short Suspension Bars and Swivel Connector



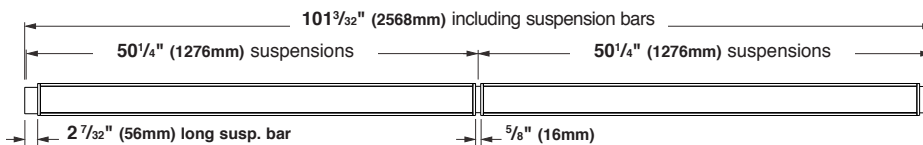
NEO suspended - 12 foot nominal w/Short Suspension Bars and Swivel Connectors



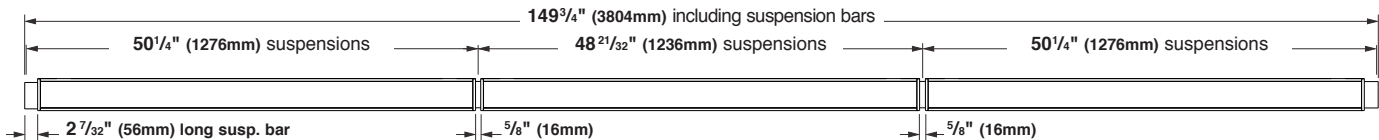
NEO suspended - 6 foot nominal w/Long Suspension Bars and Straight Connector



NEO suspended - 8 foot nominal w/Long Suspension Bars and Straight Connector



NEO suspended - 12 foot nominal w/Long Suspension Bars and Straight Connectors

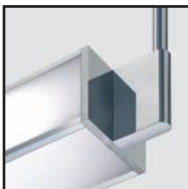


For continuous runs, use the "Run Configurator" included with PDF spec sheet (page 1) accessed by choosing "RUN!" from the "Length" pull down list. For other configurations please contact SELUX customer service or applications engineering for assistance (1-800-SELUX-CS).

Layout Dimensions

Standard Endplates

Long Suspension Bar



Overall Dimensions:
3 1/2" (90mm) x 2 3/16" (56mm) x 5/8" (16mm)

Available with Cable and Rigid Stem Mount on outside endplates for single and multiple configurations. *Rigid Stem Mount shown.*

Order code: LE

Short Suspension Bar



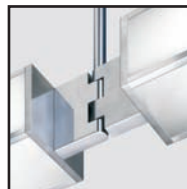
Overall Dimensions:
3 1/2" (90mm) x 5/8" (16mm) x 5/8" (16mm)

Available with Cable (non-feed ends only) and Rigid Stem Mount on outside endplates for single and multiple configurations. *Cable Mount shown.*

Order code: SE

Connectors

Swivel Connector



Overall Dimensions:
3 1/2" (90mm) x 3 13/16" (96mm) x 5/8" (16mm)

Available with Cable and Rigid Stem Mount for multiple configurations only. Variable corner bar allows up to 90° horizontal rotation in either direction. *Rigid Stem Mount shown.*

Order code: CB

Straight Connector



Overall Dimensions:
3 1/2" (90mm) x 5/8" (16mm) x 5/8" (16mm)

Available with Cable and Rigid Stem Mount for multiple configurations only. *Cable Mount shown.*

Order code: SB

Shielding

Microprismatic Diffuser Lens

Available for bottom (direct) side only, the specially designed acrylic Microprismatic Diffuser Lens directs more light onto task and work areas.

Order code: MI



Opal Lens

Provides a soft, diffuse light source for general lighting applications. Opal Lens is provided standard on lateral sides, and is optionally available on bottom (direct) side.

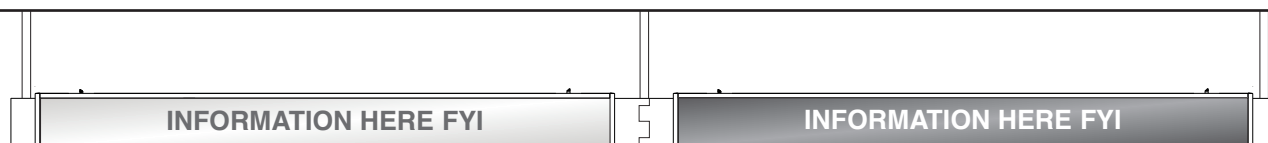
Order code: OD



Options

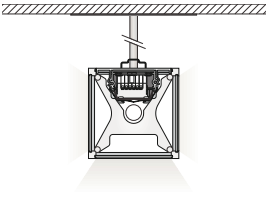
Signage Option

Full color signage option with text or logos on lateral sides. Consult factory for details.

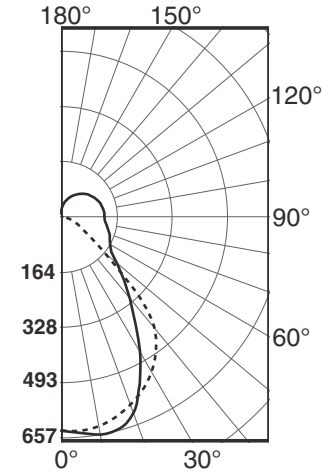


Photometry

NEOS / 1T5 / Microprismatic Diffuser Lens



Catalog #: **NEOS-1T5-004-MI**
 Lamp: **1x F28T5 @ 2600 lumens**
 Report #: **3930**
 Luminaire Efficiency: **71.2%**
 Maximum Candela: **657 @ 10°**



0_i Vertical Plane is parallel with the lamp.
 90_i Vertical Plane is perpendicular to the lamp.

COEFFICIENTS OF UTILIZATION - Zonal cavity method

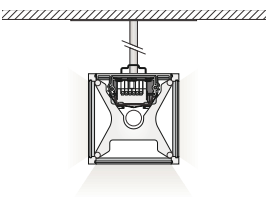
RC	80				70				50				30				10				0
	RW	70	50	30	10	70	50	30	10	50	30	10	50	30	10	50	30	10	0		
0	81	81	81	81	77	77	77	77	70	70	70	64	64	64	58	58	58	55			
1	73	70	67	64	70	67	64	61	61	59	57	55	54	52	50	49	48	45			
2	67	61	57	53	64	59	54	51	54	50	47	49	46	44	45	43	41	38			
3	62	55	49	45	59	52	47	43	48	44	40	44	41	38	40	37	35	33			
4	57	49	43	38	54	47	41	37	43	39	35	40	36	33	36	33	31	29			
5	53	44	38	34	50	42	37	33	39	34	31	36	32	29	33	30	27	26			
6	49	40	34	30	46	38	33	29	36	31	28	33	29	26	30	27	25	23			
7	45	36	31	27	43	35	30	26	33	28	25	30	26	23	28	25	22	21			
8	42	33	28	24	40	32	27	23	30	26	22	28	24	21	26	23	20	19			
9	40	31	25	22	38	30	25	21	28	23	20	26	22	19	24	21	18	17			
10	37	28	23	20	36	28	23	19	26	21	19	24	20	18	23	19	17	16			

CANDELA DISTRIBUTION					
	0	30	45	60	90
0	631	631	631	631	631
5	632	632	632	635	638
15	613	628	642	651	656
25	566	588	582	567	548
35	488	449	425	396	383
45	316	269	267	270	265
55	109	145	169	172	181
65	55	104	127	144	159
75	26	90	106	127	145
85	4.7	61	90	112	130
90	1.2	58	87	109	128

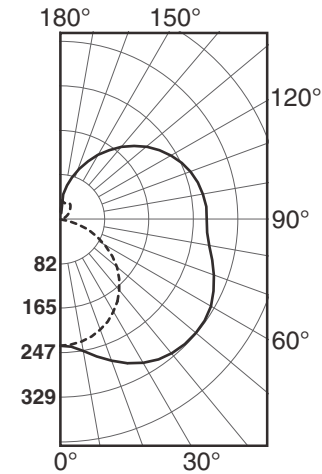
Effective Floor Cavity Reflectance 0.20

ZONAL LUMEN SUMMARY			
ZONE	LUMENS	%LAMP	%FIXT.
0-30	500.2	19.2	27
0-40	769.3	29.6	41.6
0-60	1124.6	43.3	60.8
0-90	1434.8	55.2	77.5
90-180	416.3	16	22.5
0-180	1851.1	71.2	100

NEOS / 1T5 / Opal Lens



Catalog #: **NEOS-1T5-004-OD**
 Lamp: **1x F28T5 @ 2600 lumens**
 Report #: **4286**
 Luminaire Efficiency: **84.7%**
 Maximum Candela: **329 @ 50°**



0_i Vertical Plane is parallel with the lamp.
 90_i Vertical Plane is perpendicular to the lamp.

COEFFICIENTS OF UTILIZATION - Zonal cavity method

RC	80				70				50				30				10				0
	RW	70	50	30	10	70	50	30	10	50	30	10	50	30	10	50	30	10	0		
0	93	93	93	93	87	87	87	87	76	76	76	66	66	66	57	57	57	53			
1	82	77	72	68	76	71	67	64	62	59	56	53	51	48	45	43	42	37			
2	73	65	58	53	68	61	55	50	52	48	44	45	41	38	38	35	32	29			
3	66	56	48	42	61	52	45	40	45	40	35	39	34	31	32	29	26	23			
4	60	49	41	35	55	46	38	33	39	34	29	34	29	25	28	25	22	19			
5	55	43	35	29	50	40	33	28	35	29	24	30	25	21	25	21	18	16			
6	50	38	31	25	46	36	29	24	31	25	21	27	22	18	23	19	16	13			
7	46	34	27	22	43	32	25	20	28	22	18	24	19	16	20	17	14	11			
8	43	31	24	19	40	29	22	18	25	20	16	22	17	14	19	15	12	10			
9	40	28	21	17	37	27	20	16	23	18	14	20	16	12	17	13	11	9			
10	37	26	19	15	34	24	18	14	21	16	12	18	14	11	16	12	9	8			

CANDELA DISTRIBUTION					
	0	30	45	60	90
0	235	235	235	235	235
5	239	234	235	236	238
15	226	235	245	254	264
25	210	235	258	277	295
35	186	231	266	294	318
45	156	220	263	298	3283
55	119	200	252	293	329
65	77	173	231	277	315
75	35	7111	204	253	293
85	4.2	116	182	232	275
90	0.3	114	180	231	273

Effective Floor Cavity Reflectance 0.20

ZONAL LUMEN SUMMARY			
ZONE	LUMENS	%LAMP	%FIXT.
0-30	209.9	8.1	9.5
0-40	372.1	14.3	16.9
0-60	781.4	30.1	35.5
0-90	1371.4	52.7	62.3
90-180	829.6	31.9	37.7
0-180	2200.9	84.7	100.0

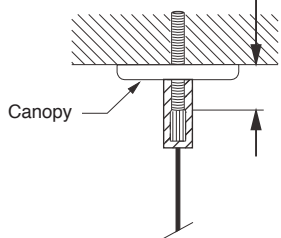
Mounting Options

Cable Suspensions

Ordering Code: **C**

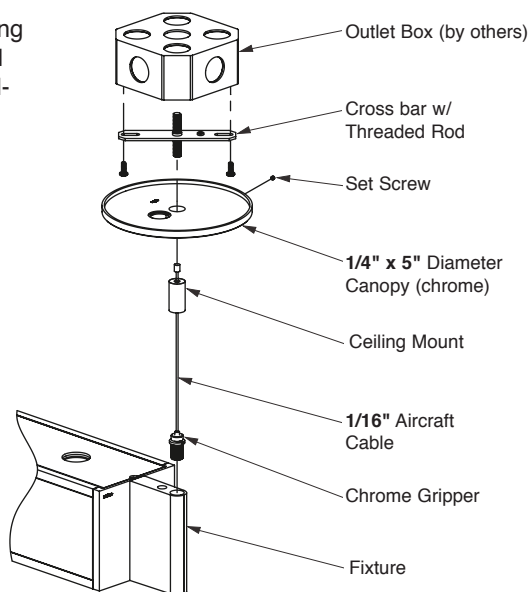
48" max. suspension from ceiling to top of luminaire and are field adjustable. Other lengths available, consult factory.

1/4 - 20 Threaded rod projected from ceiling 3/4" max. to 5/8" min.

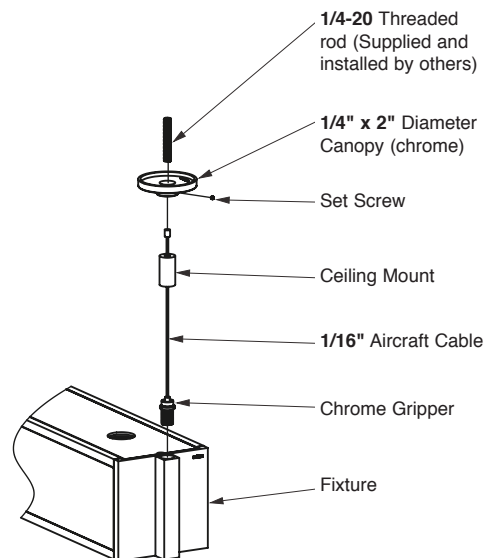


Feed Locations

18-5 Straight Feed Cord (Not Shown), Clear



Non-Feed Locations



Rigid Stem Suspension

Ordering Code: **RS**

48" max. suspension from ceiling to top of luminaire. Other lengths available, consult factory.

