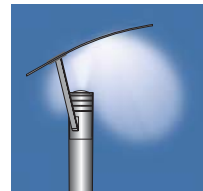
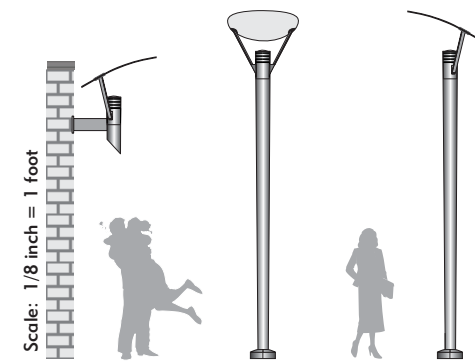


# Ritorno® RA



se'lux®

## Construction

- Die-cast aluminum components
- Stainless steel fasteners
- High purity aluminum reflector
- Completely sealed optic chamber

## Lamping/Optics

- H.I.D. lamping to 150w; T6 lamping; 85w and 165w QL induction lamping
- Uniform, virtually shadow-less illumination with extremely low glare

## Design Features

- Reverse tapered pole perfectly complements fixture head design
- Handsome wall mount option

## Finish

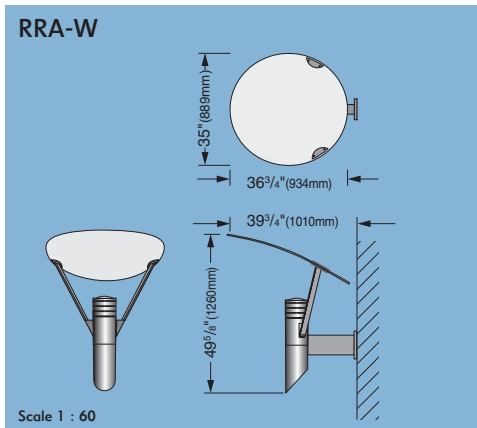
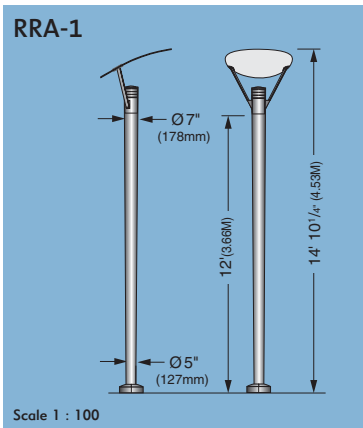
- High quality polyester powder coat finish (click here for details)

## Certifications

- NRTL listed
- IP 65
- ASTM and PCI for finish



Golden Triangle, Beverly Hills, CA



## Ordering Matrix

For details and specifications, see our website at [selux.com/usa](http://selux.com/usa)

**Series** | RRA Ritorno® Round Asymmetrical

**Mounting** | 1 Single | W Wall Mount

**Height** | RP10 10 feet | RP12 12 feet | RP14 14 feet | RP16 16 feet

**Lamping MH** | H050 50w<sup>1</sup> | H070 70w | H100 100w | H150 150w

**Lamping HPS** | S050 50w<sup>1</sup> | S070 70w | S100 100w | S150 150w<sup>2</sup>

**Lamping T6 MH** | H070T6 70w | H150T6 150w || **Lamping LED** | L39 39w

**Lamping QL Induction** | QL85 85w<sup>3</sup> | QL165 165w<sup>4</sup>

**Finish** | BK Black | WH White | BZ Bronze | SV Silver | SP Specify Premium Color

**Voltage** | 120 | 208 | 240 | 277 | 347

**Options** | REC GFCI Receptacle (pole mount only) | L Lamp Supplied | NOL No Lamp Supplied<sup>5</sup> | FS Fuse Option

<sup>1</sup> Not available with 347v <sup>2</sup> Only available for 55v lamp <sup>3</sup> Only available in 120v and 277v <sup>4</sup> Only available in 277v <sup>5</sup> Not available for QL lamps.

[CLICK HERE FOR LAMP INFO](#)

## Photometry

### RRA-1-H150 (Type IV Non-Cutoff/mounting ht. = 12')

