

Ritorno® Round Asymmetrical



Project: _____

Type: _____ **Qty:** _____

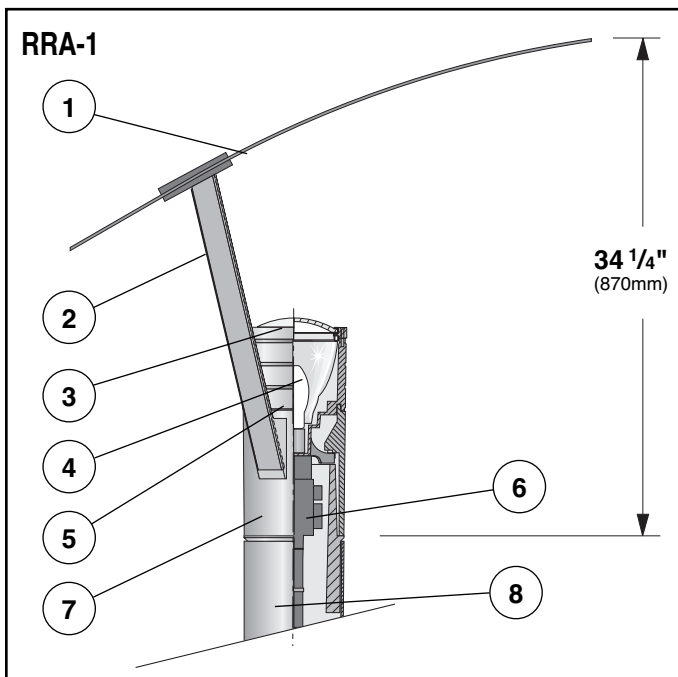
RRA - - - - -
 Series Mounting Height Lamping CCT Finish Voltage

Options

LAMPS SUPPLIED WITH FIXTURE EXCEPT FOR NOL OPTION.
 SEE PAGE 2 FOR LAMP DETAILS.

Series	Mounting	Height	Lamping			CCT ⁷	Finish	Voltage	Options
RRA Ritorno® Round Asymmetrical	1 Single W Wall Mount	RP10 10 ft.	<u>Metal Halide</u>	<u>HPS</u>	<u>LED Light Engine</u>	3000 3500 5000	WH White	120	L Lamp Supplied
		RP12 12 ft.	H050 ¹ 50w	S050 ¹ 50w	L40 ³ 39w		BK Black	208	NOL ⁶ No Lamp Supplied
		RP14 14 ft.	H070 70w	S070 70w	<u>QL Induction</u>	BZ Bronze	240	REC GFCI Receptacle (pole mount only)	
		RP16 16 ft.	H070T6 70w	S100 100w		SV Silver	277	FS ¹ Single Fusing	
			H100 100w	S150 ² 150w		SP Specify Premium Color	347		
		H150 150w	H150T6 150w	QL85 ⁴ 85w	QL165 ⁵ 165w				

¹ Not available with 347v ² Only available with 55v lamps ³ Only available in 120v/277v ⁴ Only available in 120v/240v/277v ⁵ Only available in 277v ⁶ Not available for QL or LED ⁷ LED lamping only



1. Reflective Shade - 36³/₄" x 35" (934mm x 889mm) minimum 3/16" (4.7mm) thick aluminum reflector shade painted white for maximum reflectivity. Supplied with drip groove around perimeter, to prevent rain marks on underside. Shade attached to fixture arms with low profile stainless steel hardware.

2. Fixture Arms - Two natural, marine grade stainless steel with bead-blasted finish, rigidly attach reflector shade to pole fitter.

3. Lamp Cover - Heat-tempered convex lens protects lamp and reflector assembly. Continuous molded silicone gasket creates sealed optic chamber for weather

proofing, dust and insect control. Door pivots open from lamp chamber for relamping. Three captive stainless steel screws secure lamp cover in position

4. Lamp - One coated, base down, medium base ED-17 metal halide or high pressure sodium up to 150w; 70w or 150w ceramic G12 base T6 metal halide (830 - 3000 K), or 85w or 165w QL induction lamp (840 - 4000 K). Other lamps/colors available, consult factory. Lamp supplied with fixture unless otherwise specified.

5. Optic Chamber - Die cast aluminum optic chamber houses highly specular precision reflector & 4KV pulse rated medium base socket and lamp. Secures to pole fitter with quarter turn mechanism, locked in place with a single screw. Optic chamber is removable from pole fitter for ballast access, without the necessity of removing the fixture head from the pole.

6. Ballast - A high efficiency, pulse start, core and coil ballast factory wired to socket. Removable ballast bracket is secured to optic chamber for ease of maintenance. Consult factory for more detailed ballast information.

7. Pole Fitter - Die cast aluminum fitter secures fixture arms and reflective shade to pole. Tapered to continue lines from pole.

8. Pole - Pole to be aluminum and taper from 5" diameter at the bottom to 7" diameter at the top. Pole wall thickness to be minimum 0.156 thick, supplied with a 3" x 5" hand hole, with cast 356 aluminum tempered to a T6 condition reinforced frame, with integral ground lug connection and gasketed flush fitting door.

9. Base Cover - (not shown) Standard two-piece base cover is made from die-cast 356 alloy aluminum which is heat treated to produce a T6 temper, measuring 4¹/₂" (115mm) height by 12¹/₂" (316mm) diameter.

Exterior Luminaire Finish - SELUX utilizes a high quality Polyester Powder Coating. All SELUX luminaires and poles are finished in our Tiger Drylac certified facility and undergo a five stage intensive pretreatment process where product is thoroughly cleaned, phosphated and sealed. SELUX powder coated products provide excellent salt and humidity resistance as well as ultra violet resistance for color retention. All products are tested in accordance with test specifications for coatings from ASTM and PCI.

Standard exterior colors are White (WH), Black (BK), Bronze (BZ), and Silver (SV). Selux premium colors (SP) are available, please specify from your SELUX color selection guide.

SELUX Corp. © 2012
 TEL (845) 691-7723
 FAX (845) 691-6749
 www.selux.com/usa
 RRA-0112-01 (ss-V4.7)

NRTL Listed (i.e. UL, CSA)

Union Made Affiliated
 with IBEW Local 363



In a continuing effort to offer the best product possible, we reserve the right to change, without notice, specifications or materials that in our opinion will not alter the function of the product. Specification sheets found at www.selux.com/usa are the most recent versions and supercede all other printed or electronic versions.

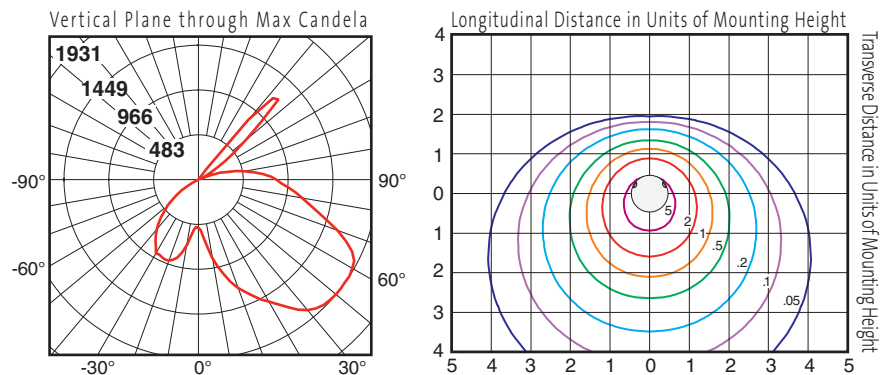
Photometry

150w MH

Catalog # RRA-1-H150
Report # ITL-14364

- Maximum candela of 1931 at 52.5° from vertical.
- IES classification = Type IV Non-Cutoff.

DOWNLOAD IES FILE:
<http://www.selux.com/web/files/exterior/RRA-1-H150.zip>



HID Lamp Prorate Table					
High Pressure Sodium			Metal Halide		
Wattage	Factor	Initial Lumens	Wattage	Factor	Initial Lumens
50	0.29	3800	50	0.30	4000
70	0.45	5950	70	0.45	6000
100	0.66	8800	100	0.68	9000
150	1.12	15000	150	1.00	13300

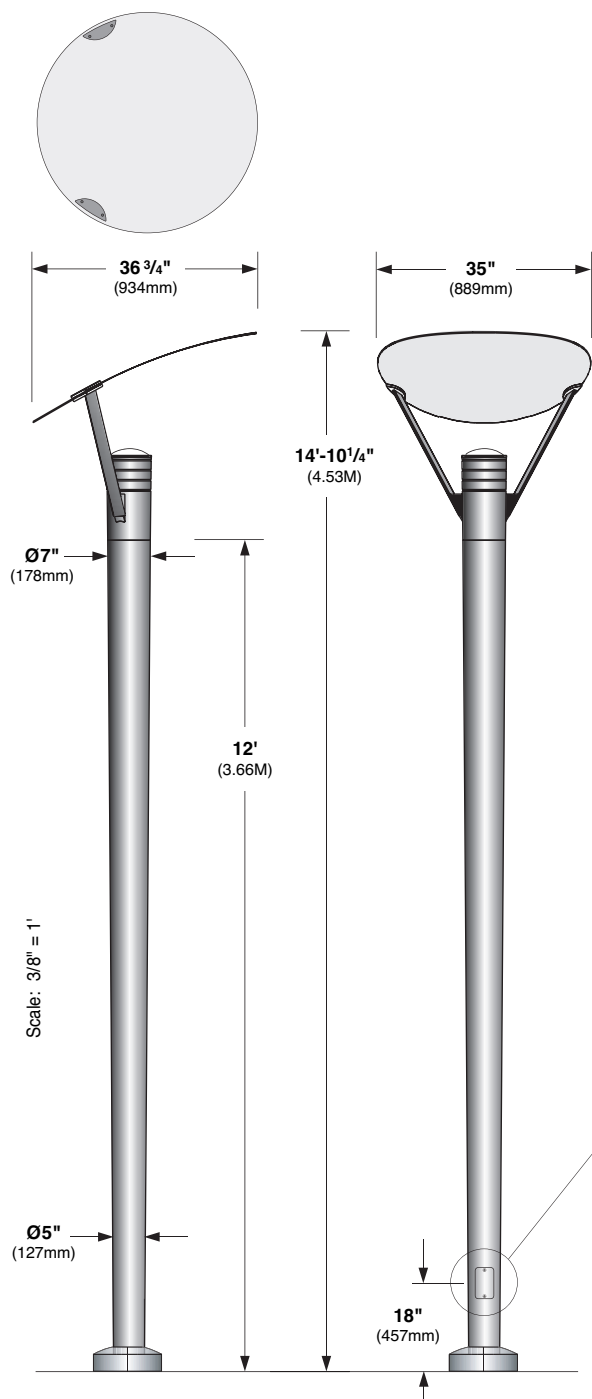
Conversion Chart	
Values based on 12' mounting height.	
Mounting Height	Multiply
10'	1.10
12'	1.00
14'	0.93
16'	0.87

Lamps Supplied with Fixture						Other color temperatures available upon request						
Catalog Number	Description	Bulb	Operating Position	Base	Lamp Finish	Lamp Color	ANSI Designation	Initial Lumens	Mean Lumens	CRI	CCT (K)	Life (hours)
H050	50 Watt	ED17	Universal	Med. Base	Coated	830	M110/E	4000	3000	82	3000	10000
H070	70 Watt					830	M98/E	6000	4800	82	3000	10000
H100	100 Watt					830	M90/E	9000	7200	85	3000	12500
H150	150 Watt					739	M102	13300	10000	70	3900	15000
S050	50 Watt	ED17	Universal	Med. Base	Coated	N/A	S68	3800	3420	21	1900	24000+
S070	70 Watt						S62	5860	5270	21	1900	24000+
S100	100 Watt						S54	8800	7920	21	2100	24000+
S150	150 Watt						S55	15000	13500	21	2100	24000+
H070T6	70 Watt	T6	Universal	G12	Clear	830	M139/E	6600	5200	82	3000	12000
H150T6	150 Watt						M142/E	14000	10800	85	3000	12000
QL85	85 Watt	NA	Universal	NA	Coated	840	NA	6000	4800	80	4000	100000
QL165	165 Watt						NA	12000	9600	80	4000	100000

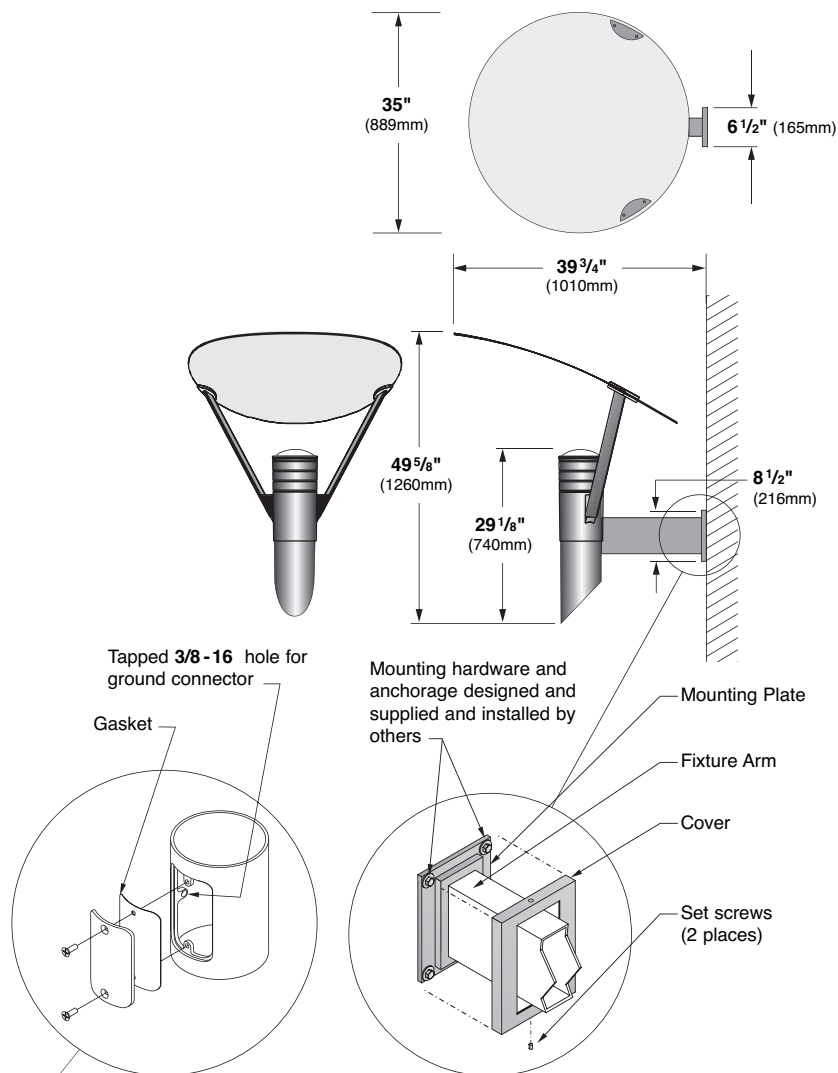
Note: Lamp data provided for reference only and is believed to be accurate at time of printing. Consult manufacturers' data for updated and accurate specifications, along with any specifications and precautions. Contact SELUX for specific manufacture if required. Other lamps are available, contact SELUX with any special requests. All lamps and ballasts supplied by SELUX are usually covered under the ballast and lamp manufacturers' warranties.

Mounting

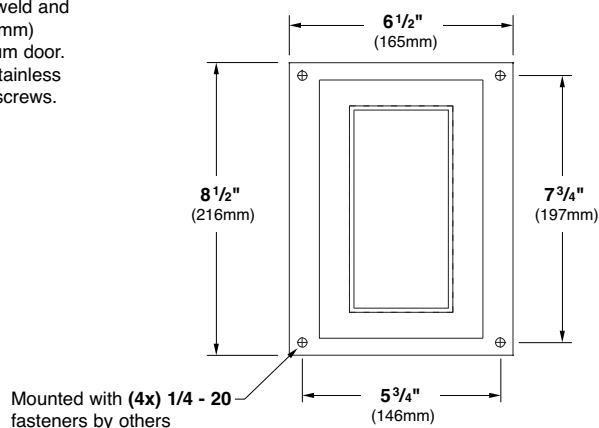
Single



Wall Mount



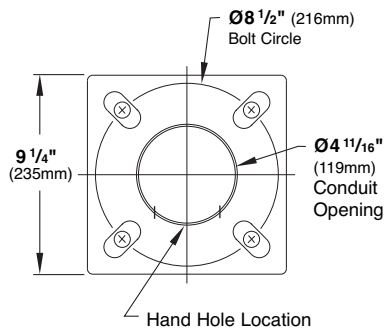
Wall Mounting Plate Detail



Effective Projected Area of Single Luminaire = 4 ft² (0.37m²)
 Weight of Luminaire = 60.0 lbs (27.3kg) Pole and luminaire engineered to withstand 120mph wind (+1.3 gust) as per AASHTO standards.
 See next page for Reverse Taper Pole EPA information.

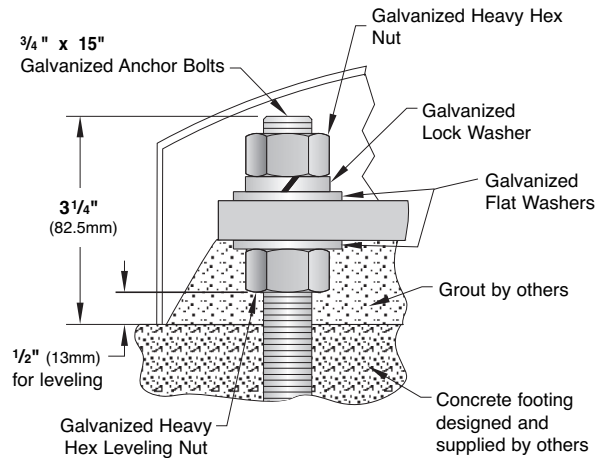
Bolt Circle

Use caution when setting anchor bolts. Bolts must be vertically straight and centered on dimensions shown.



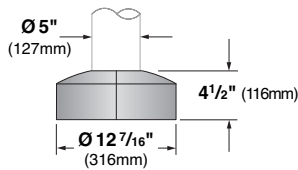
Note: Adequate drainage must be provided in concrete foundation or grout.

Anchor Bolt Detail

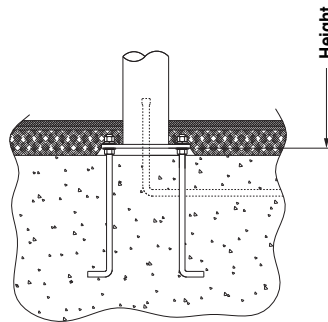


BC3 Standard Base Cover

Die-cast aluminum, two-piece field installable base cover.

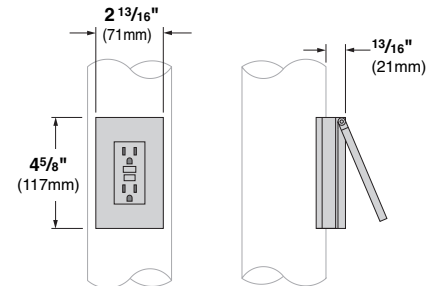


Alternate Mounting Detail



Options

GFCI Receptacle (REC) - GFCI duplex receptacle with cast base welded to pole and gasketed, provided with weather-proof, self-closing cover; located 36" (915mm) from base of pole, inline with handhole. Receptacle is intended only for portable tools or other portable equipment to be connected to outlet only when attended by operating personnel.



Ritorno Reverse Taper Pole (5" to 7")

EPA values calculated as per AASHTO LTS4 2001, to include fixture. Consult factory for heights other than 12'.

Pole Height	Windspeed					
	70	80	90	100	110	120
10'	16.70	12.34	9.31	7.19	5.62	4.42
12'	13.60	9.86	7.27	5.46	4.11	
14'	10.13	7.06	5.02			
16'	8.25	5.53				

All Poles are constructed per AASHTO standards for structural supports for highway signs, luminaires and traffic signals as published in 1975, amended and adopted in 1985 and 1994.

A consideration of field conditions such as (but not limited to) wind zone, height, vibration must be given by the designer/specifier for the appropriate application.

Performance of poles is dependent upon proper support/attachment of pole to adequate foundation design. SELUX does not design or offer recommendations for foundations. EPA values assume that the bottom of the pole is at grade level.

Call SELUX (1-800-SELUXCS) if there are any questions, or for any assistance in determining suitability with appropriate fixtures.